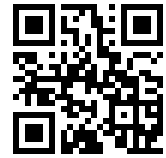

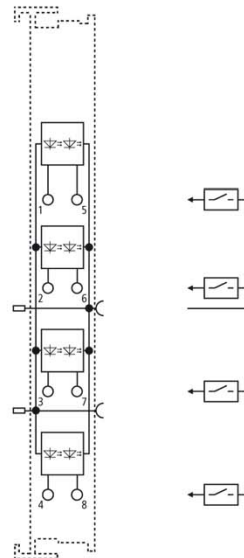
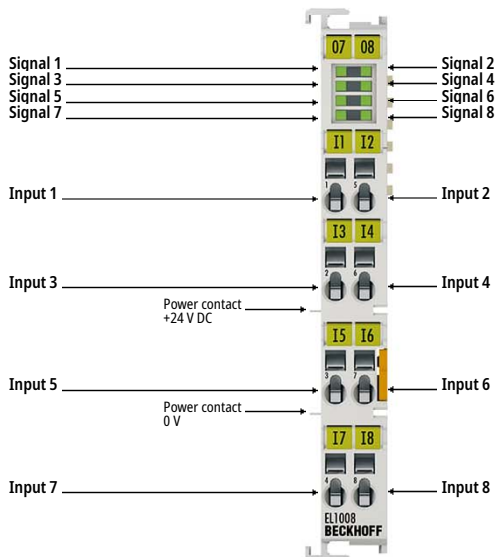


# EL1008 | EtherCAT Terminal, 8-channel digital input, 24 V DC, 3 ms



 Image similar, may contain optional accessories



EL1008 | EtherCAT Terminal, 8-channel digital input, 24 V DC, 3 ms

**i** **Product status:** regular delivery

The EL1008 digital input terminal acquires the binary 24 V control signals from the process level and transmits them, in an electrically isolated form, to the higher-level automation unit. Each EtherCAT Terminal has eight channels that indicate their signal state via light emitting diodes.

Special features:

- input specification type 1/3
- no bouncing due to mechanical switches thanks to 3 ms input filter

## Product information

### Technical data

Technical data	EL1008
Connection technology	1-wire
Specification	EN 61131-2, type 1/3
Number of inputs	8
Nominal voltage	24 V DC (-15%/+20%)
"0" signal voltage	-3...+5 V (EN 61131-2, type 3)

Technical data	EL1008
"1" signal voltage	11...30 V (EN 61131-2, type 3)
Input current	typ. 3 mA (EN 61131-2, type 3)
Input filter	typ. 3 ms
Distributed clocks	–
Current consumption power contacts	typ. 2 mA + load
Current consumption E-bus	typ. 90 mA
Electrical isolation	500 V (E-bus/field potential)
Configuration	no address or configuration setting
Special features	standard input terminal for bouncing signals (filter 3 ms)
Weight	approx. 55 g
Operating temperature	-25...+60°C
Storage temperature	-40...+85°C
Relative humidity	95%, no condensation
Vibration/shock resistance	conforms to EN 60068-2-6/EN 60068-2-27
EMC immunity/emission	conforms to EN 61000-6-2/EN 61000-6-4
Protect. rating/installation pos.	IP20/see documentation
Pluggable wiring level	for all ESxxxx terminals
Approvals/markings	CE, CCC, UL, ATEX, IECEx, DNV, cFMus
Ex marking	ATEX: II 3 G Ex ec IIC T4 Gc IECEx: Ex ec IIC T4 Gc cFMus: Class I, Division 2, Groups A, B, C, D Class I, Zone 2, AEx ec IIC T4 Gc

Housing data	EL-12-8pin	ES-12-8pin
Design form	compact terminal housing with signal LEDs	terminal housing with pluggable wiring level
Material	polycarbonate	
Installation	on 35 mm DIN rail, conforming to EN 60715 with lock	
Side by side mounting by means of	double slot and key connection	
Marking	labeling of the BZxxxx series	
Wiring	solid conductor (s), flexible conductor (st) and ferrule (f): spring actuation by screwdriver	
Connection cross-section	s*: 0.08...2.5 mm <sup>2</sup> , st*: 0.08...2.5 mm <sup>2</sup> , f*: 0.14...1.5 mm <sup>2</sup>	s*: 0.08...1.5 mm <sup>2</sup> , st*: 0.08...1.5 mm <sup>2</sup> , f*: 0.14...1.5 mm <sup>2</sup>

Housing data	EL-12-8pin	ES-12-8pin
Connection cross-section AWG	s*: AWG28...14, st*: AWG28...14, f*: AWG26...16	s*: AWG28...16, st*: AWG28...16, f*: AWG26...16
Stripping length	8...9 mm	9...10 mm
Current load power contacts	I <sub>max</sub> : 10 A	
Dimensions (W x H x D)	12 mm x 100 mm x 68 mm	

\*s: solid wire; st: stranded wire; f: with ferrule

## Ordering information

Ordering information	
EL1008	EtherCAT Terminal, 8-channel digital input, 24 V DC, 3 ms
ES1008	EtherCAT Terminal, 8-channel digital input, 24 V DC, 3 ms, pluggable wiring level