

Mini Robot

ER7-900

ER7-900 is a mini robot.
Maxium payload 7 kg with maxium reach 911 mm.

Highlights

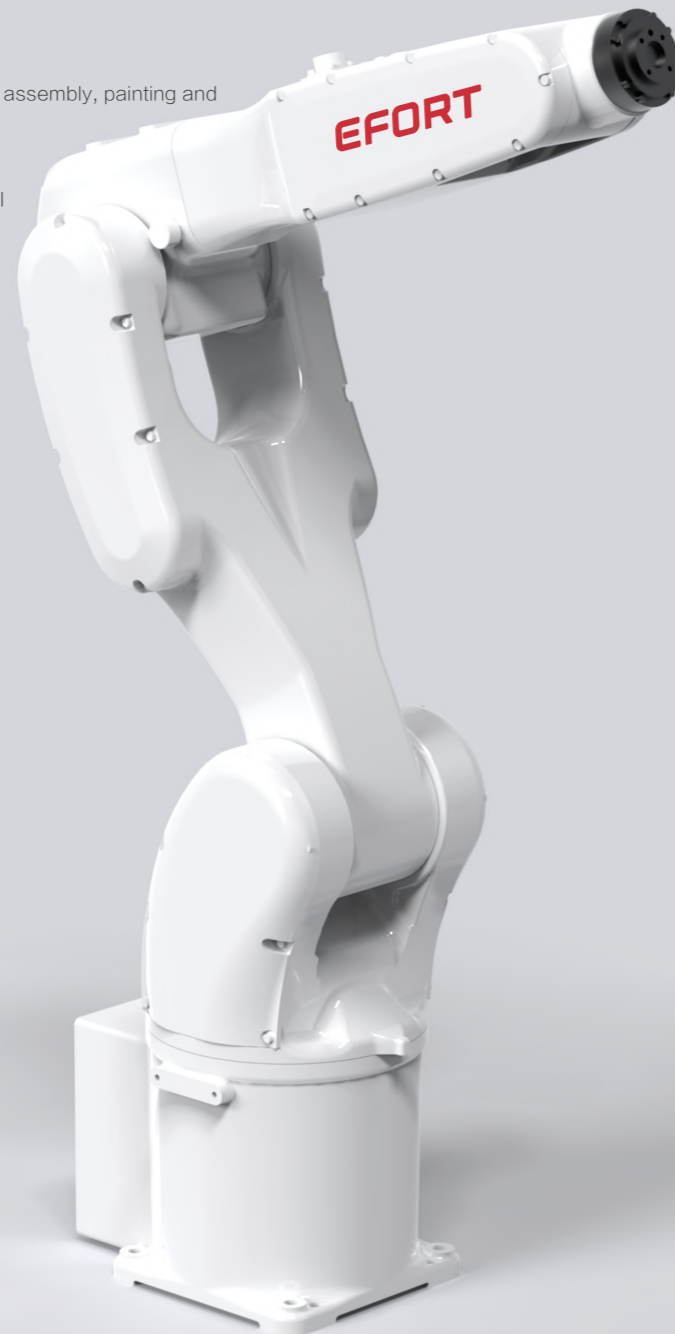
High protection level IP65 of the robor body help customers easy to face dusty, oil misty, high humidity and other harsh environment; Thanks to the high stiffness transmission design and advanced trajectory algorithm, the improved robot accuracy performance helps customers to face variety of application scenarios.

Applications

It can be widely used in handling, sorting, assembly, painting and other applications.

Industries

Suitable for 3C, food and beverage, metal parts, education, plastic, pharmaceutical and other industries.



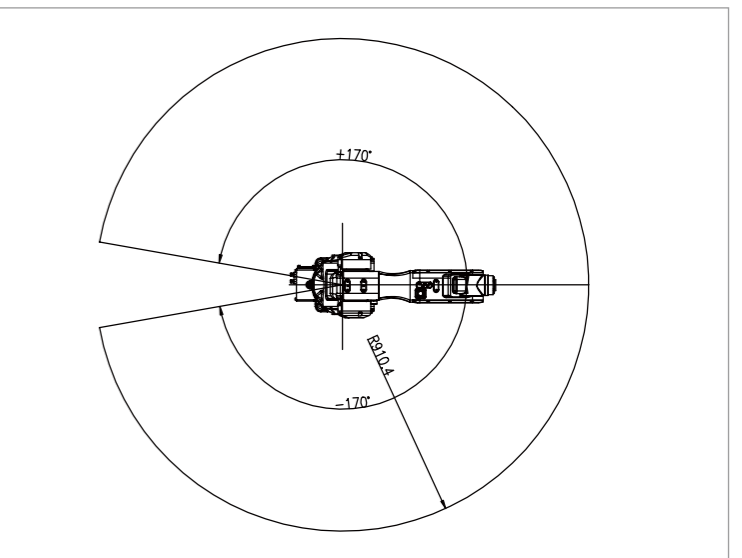
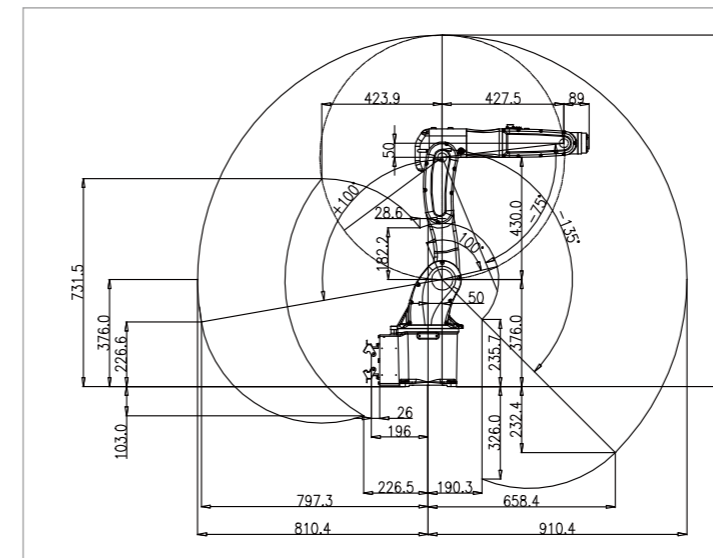
EFORT

SPECIFICATIONS

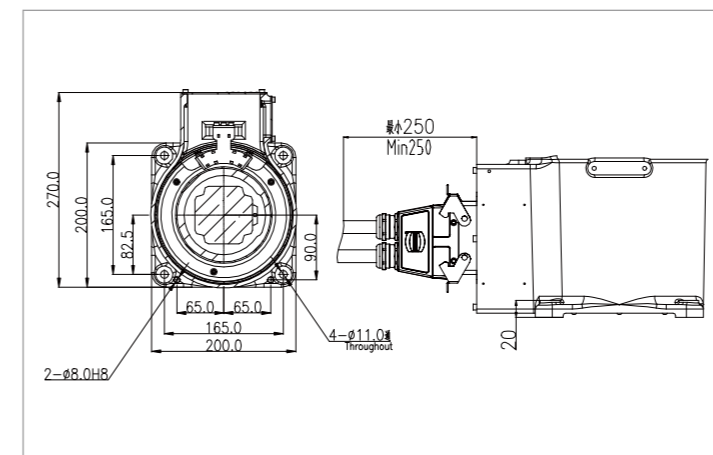
Model	ER7-900	
Type	Articulated Type	
Controlled Axes	6 Axes	
Wrist Payload	7 kg	
Repeatability	±0.03 mm	
Robot Weight	38 kg	
Reach	911 mm	
Robot IP Grade	IP65/IP67 (Wrist)	
Cabinet IP Grade	IP20	
Drive Method	Electric servo drive by AC servo motor	
Installation	Floor, Upside-down, Wall mount	
Environment Requirements	Ambient Temperature	0~45 °C
	Humidity	< 80%/40°C (No Condensation)
	Vibration Acceleration	4.9 m/s ² (<0.5 G)

Allowable Torque	J4	16 N.m
	J5	16 N.m
	J6	9 N.m
Allowable Moment of Inertia	J4	0.45 kg.m ²
	J5	0.45 kg.m ²
	J6	0.14 kg.m ²
Maximum Speed	J1	300°/sec
	J2	255°/sec
	J3	320°/sec
	J4	450°/sec
	J5	450°/sec
	J6	720°/sec
Motion Range	J1	± 170°
	J2	+100°/-135°
	J3	+200°/-75°
	J4	± 190°
	J5	± 120°
	J6	± 360°

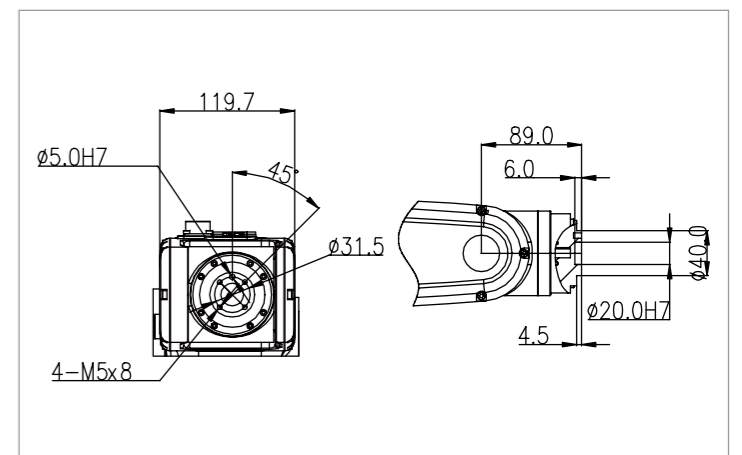
OPERATING SPACE



BASE MOUNTING SIZE



END FLANGE MOUNTING SIZE



EFORT INTELLIGENT EQUIPMENT CO.,LTD.

PHONE: (00 86) 400-052-8877
ADDRESS: No.96 East WanChun Road, JiuJiang Economic Development Zone, Wuhu, Anhui, China
WWW.EFORT.COM.CN