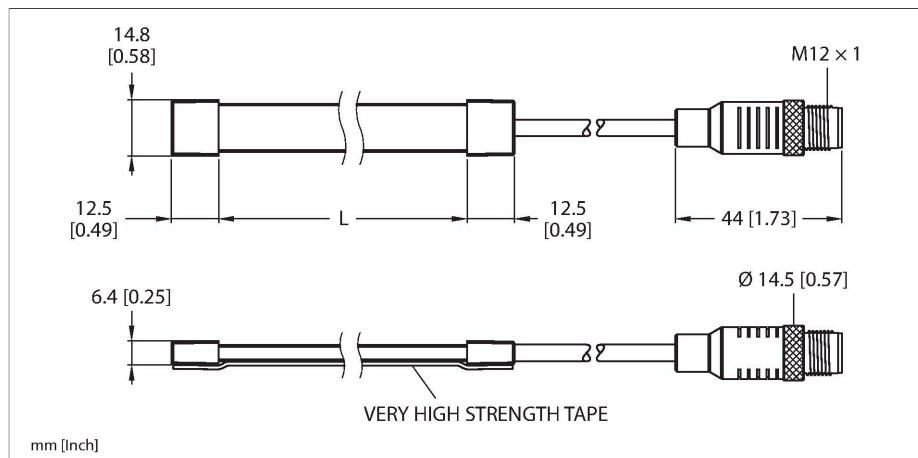


WLF12PXRGB300SQP

LED Display – LED Light Strip



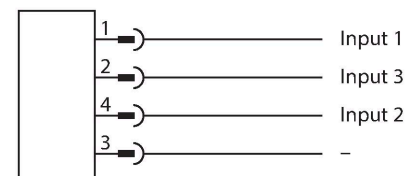
Technical data

Type	WLF12PXRGB300SQP
ID	3814352
Signal and display data	
Purpose	LED indicator light
Function	Linear light
Light type	RGB
Beam angle	120°
LED service life (L70)	50000 h
Dimmable	No
Electrical data	
Operating voltage U_B	10.8...13.2 VDC
DC rated operating current I_e	≤ 135 mA
Input power	3.24 W
Communication protocol	BannerBus (Pro Editor compatible)
Mechanical data	
Cascadable	No
Design	Right-angled, WLF12
Dimensions	325 x 12.8 x 6.4 mm
Housing material	Silicone
Window material	Silicone, Transparent
Electrical connection	Cable with connector, M12 × 1, PVC
with motion switch	no
Ambient temperature	-25...+45 °C
Storage temperature	-35...+70 °C
Protection class	IP69K

Features

- Flexible LED linear light
- RGB LEDs, multicolor
- Protection class IP67/IP69K
- Operating voltage: 12 VDC, without controller
- Operating voltage: 12...30 VDC, with LC25C-WLF12-RGB7Q Pro Controller
- Operating voltage: 18...30 VDC, with LC25C-WLF12-KQ Pro IO-Link Controller
- Connection: 150-mm cable with male connector, M12 × 1, straight, 4-pin
- Parameterization via Pro Editor software, requires an LC25C-WLF12-RGB7Q controller (not included in the delivery)
- Parameterization via IO-Link, requires an LC25C-WLF12-KQ controller (not included in the delivery)
- An LC25C-WLFxxx controller is mandatory for operating in a standard industrial 24-VDC network (not included in the delivery)
- 10 × LMBWLF12C transparent silicone clamps included in the delivery
- Light length L: 300 mm

Wiring diagram



Functional principle

The flexible WLF12 Pro LED linear light has been designed to integrate easily into a wide range of industrial applications and environments. The robust yet flexible IP69K housing can be cut to the desired length, allowing the user to adapt the light to the optimum shape.

Technical data

Tests/approvals

Approvals CE, cULus, cURus

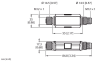
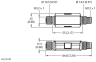
The light is easy to install using the integrated high-strength adhesive tape and can therefore be used creatively on an AGV, a machine or an assembly station. The programmable RGB LEDs offer proven durability and a wide range of colors and animations for customized display requirements.

The Pro Editor configuration software and LC25 Pro Controller provide access to color, flash, intensity and animation settings, as well as advanced operating modes for displaying distance, number, time and position.

This linear light can also be parameterized via the IO-Link interface using the LC25 Pro Controller with IO-Link.

The use of an LC25C-WLF12xxx controller is mandatory for operating the WLF12 linear light in a standard industrial 24-VDC network. If this controller is connected using a connection cable, the maximum distance is 3.05 m.

Accessories

Dimension drawing	Type	ID	
	LC25C-WLF12-RGB7Q	3814883	LED controller for operating a WLF12 linear light in a standard industrial 24-VDC network, mandatory for parameterization via Pro Editor software
	LC25C-WLF12-KQ	3814884	LED controller for operating a WLF12 linear light in a standard industrial 24-VDC network, mandatory for parameterization via IO-Link